

ELECTRIC SYSTEM

Brushless Motor

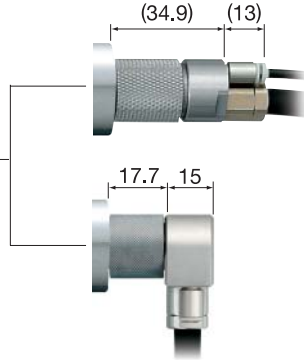
# EM-3060

O.D.	Max. Output Power	Motor Speed	Housing	Weight
ø30mm	350W	5,000~60,000min <sup>-1</sup>	Stainless steel (SUS416)	325g

CAT. No. **1597** Model **EM-3060**

< Standard Equipment · Accessories >

- Spanner (22 x 27) : 1pc.



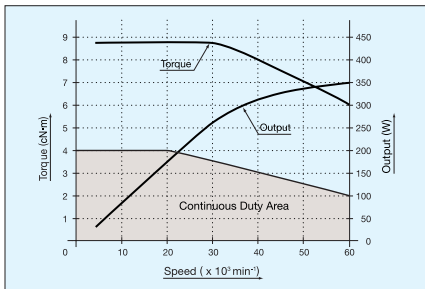
Motor Cord (Straight Type)  
EMCD-3000-4M / 6M / 8M

**OPTION** → Refer to the following Motor Cord table

Motor Cord (Angle Type)  
EMCD-3000A-4M / 6M / 8M

**OPTION** → Refer to the following Motor Cord table

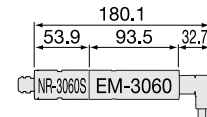
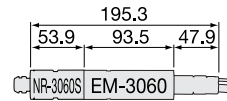
● Torque Characteristics of EM-3060



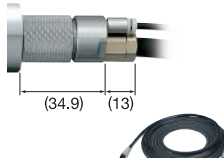

**Motor Cord is sold separately. Please select a cord from the list below.**



**Motor Cord EMCD-3000J-3M / 4M / 6M / 8M** on page 2-p22 can not used for this motor.



▼ Motor Cord (Straight Type / Angle Type)

Product	CAT. No.	Model	Length	Std. Accessories	Fit to
<b>Straight Type</b> 	<b>1748</b>	EMCD-3000-4M	4m	• Air Hose • Connector Cap (Provided)	EM-3060 EM30-S6000 EM25-S6000 EM20-S6000
	<b>1749</b>	EMCD-3000-6M	6m		
	<b>1750</b>	EMCD-3000-8M	8m		
<b>90° Angle Type</b> 	<b>1744</b>	EMCD-3000A-4M	4m	• Air Hose • Connector Cap (Provided)	EM-3060 EM30-S6000 EM25-S6000 EM20-S6000
	<b>1743</b>	EMCD-3000A-6M	6m		
	<b>1742</b>	EMCD-3000A-8M	8m		